

3/4" Tiny Flush mount Lighthead

Installation and Operation Instruction

- 4 unit provide a directional warning signal approved to ECE R65. Small size lighthead for installation in tailgates, boot lids or side of vehicle.
- Multi-functional combo warning light with side marker, tail or front position.
- Aluminium base for efficient heat dissipation and maximum durability.

1. Technical Specifications

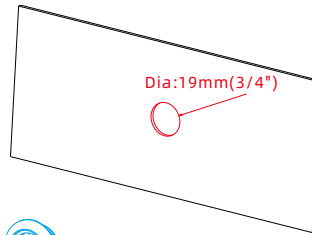
Power	0.6A@12VDC, 0.3A@24VDC
Voltage	DC 10-30V
Color	Single
LED	Warning: 5W x 1 pcs Position: 0.2W x 2 pcs
Flash Pattern	Single 20/ Dual and Triple 12
IP Rating	IP67
Operating	-30°C to +60 °C
Mount	Flush
Certifications	ECE R65 Class1(4 unit), R10, R148

2. Flash Patterns

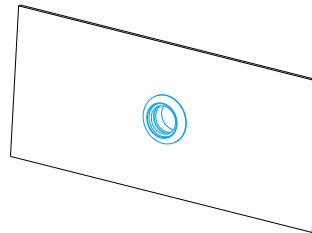
1	Single 2HZ	8	Single to Double 2HZ
2	Double 2HZ	9	Single to Quad 2HZ
3	Single SAE	10	Single to Double SAE
4	Double SAE	11	Single to Quad SAE
5	Quad 2HZ	12	Single to Warp
6	Quad SAE	13	Steady on 50%
7	Warp 1HZ	14	Steady on 10%

3. Mounting

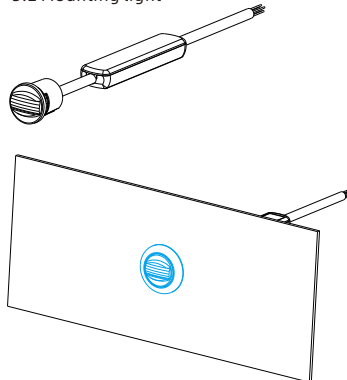
3.1 Drill a hole



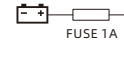
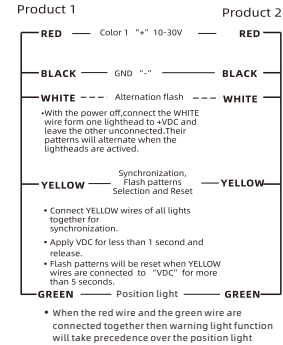
3.2 Mounting rubber grommet



3.2 Mounting light



4. Wiring Instruction



A 1A fuse is required for connecting the positive terminal of the product to the battery.

5. Dimensions

